

# Concrete Mixer

DBM 2500 - DBM 3500





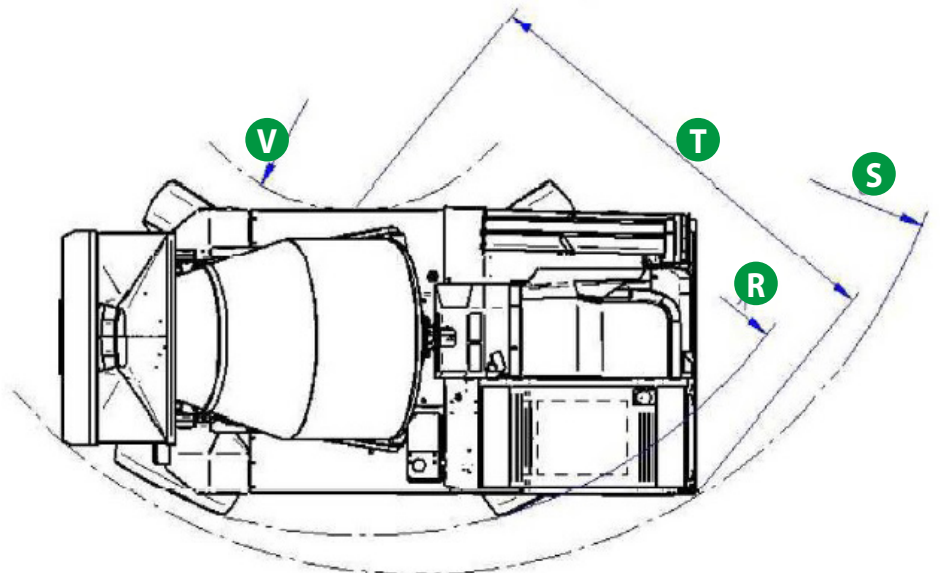
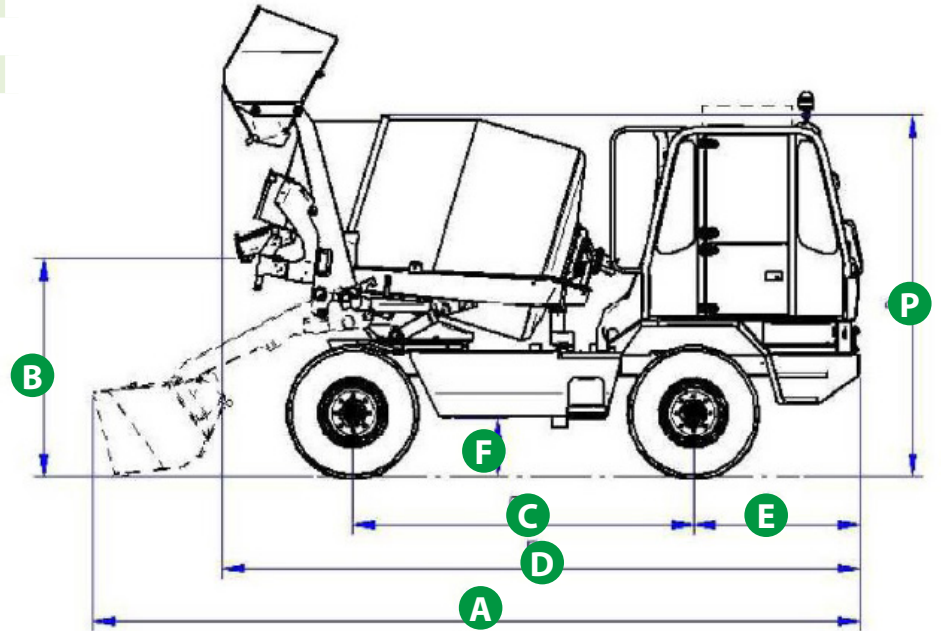
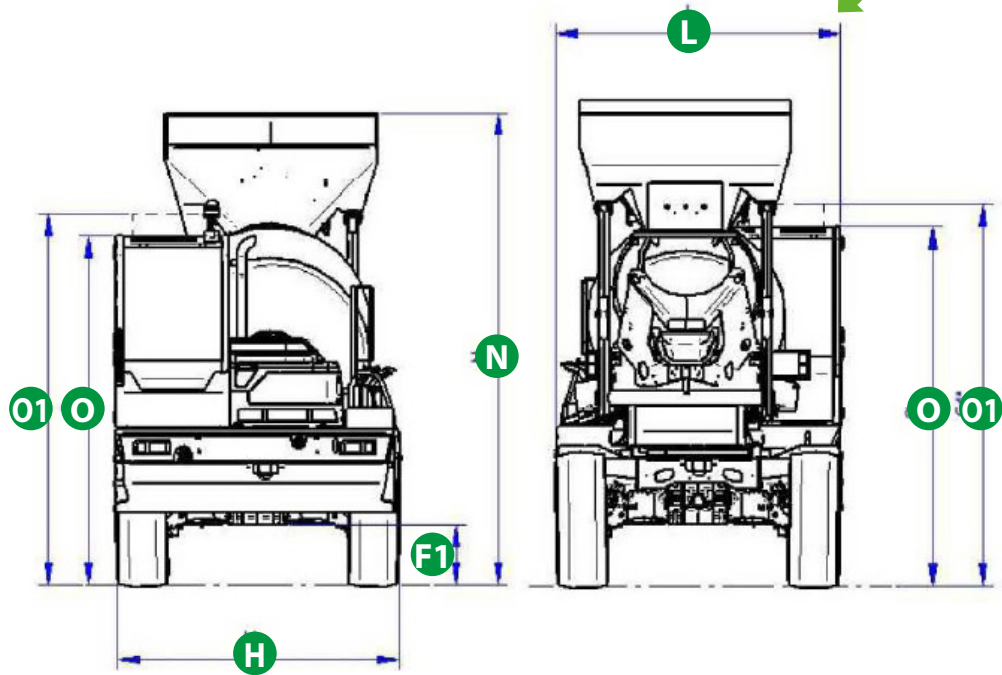
- Not Available  
 ● Standard  
 ○ Optional

| PERFORMANCE AND FEATURES                              | DBM 2500                | DBM 3500           |  |
|-------------------------------------------------------|-------------------------|--------------------|--|
|                                                       | Factory order only      | Factory order only |  |
| <b>Performance</b>                                    |                         |                    |  |
| Unladen weight (kg)                                   | 7050                    | 7400               |  |
| Concrete yield capacity (l)                           | 2500                    | 3500               |  |
| Drum volume (l)                                       | 3500                    | 5000               |  |
| Loading bucket volume (l)                             | 700                     | 700                |  |
| Water pump capacity (l/min)                           | 250                     | 250                |  |
| Water tank capacity (l)                               | 930                     | 930                |  |
| Maximum unloading height without discharge chute (mm) | 1760                    | 2060               |  |
| Drum rotation speed (tr/min)                          | 0 ÷ 26                  | 0 ÷ 18             |  |
| <b>PowerTrain</b>                                     |                         |                    |  |
| Engine                                                | DEUTZ TCD3.6            | DEUTZ TCD3.6       |  |
| Engine power (kW/HP)                                  | 74.4/100                | 74.4/100           |  |
| Anti-pollution technology                             | TIER 4F+DOC             | TIER 4F+DOC        |  |
| Fuel tank capacity (l)                                | 200                     | 200                |  |
| AdBlue tank capacity (l)                              | 18                      | 18                 |  |
| Axles                                                 | Drop portal             | Drop portal        |  |
| Brakes                                                | Automatic parking brake |                    |  |
| Maximum gradeability: Fully laden (%)                 | 45                      | 40                 |  |
| Maximum gradeability: Empty (%)                       | 55                      | 50                 |  |
| Maximum transversal slope (%)                         | 15                      | 15                 |  |
| Maximum speed (km/h)                                  | 40                      | 40                 |  |
| <b>Configuration</b>                                  |                         |                    |  |
| ROPS Cab                                              | ●                       | ●                  |  |
| Pedal Inching-Control                                 | ●                       | ●                  |  |
| Hydrostatic transmission                              | ●                       | ●                  |  |
| Permanent four-wheel drive                            | ●                       | ●                  |  |
| All wheel steering                                    | ●                       | ●                  |  |
| Three steering way                                    | ●                       | ●                  |  |
| Standard tyres                                        | 405/70-20               | 500/45-20          |  |

## Dimensions



|         | DBM 2500 | DBM 3500 |
|---------|----------|----------|
| A (mm)  | 6220     | 6480     |
| B (mm)  | 1760     | 2060     |
| C (mm)  | 2750     | 2750     |
| D (mm)  | 5250     | 5460     |
| E (mm)  | 1350     | 1350     |
| F (mm)  | 470      | 435      |
| F1 (mm) | 470      | 435      |
| H (mm)  | 2300     | 2355     |
| L (mm)  | 2300     | 2300     |
| O (mm)  | 2805     | 2770     |
| O1 (mm) | 2975     | 2940     |
| N (mm)  | 3720     | 3880     |
| P (mm)  | 2900     | 3100     |
| R (mm)  | 4165     | 4200     |
| S (mm)  | 4400     | 4730     |
| T (mm)  | 3590     | 3590     |
| V (mm)  | 1620     | 1620     |





**DBM2500:**

\_\_\_ - VIN: \_\_\_ - SAV: \_\_\_ - \_\_\_

**DBM3500:**

\_\_\_ - VIN: \_\_\_ - SAV: \_\_\_ - \_\_\_

**MERLO GROUP AUSTRALIA PTY LTD**

27 Colin Jamieson Dve, Welshpool (Perth), WA 6106  
Tel. (08) 9358 3110 - Fax (08) 9358 4110  
120 Toongabbie Road, Girraween, NSW 2145  
Tel. (02) 9688 0600  
Tel:1300 657 325

[info@merloaustralia.com.au](mailto:info@merloaustralia.com.au)  
[www.merlo.com](http://www.merlo.com)



Your Merlo dealer



**SYDNEY:** Unit 6 2/10 Dunn Rd, Smeaton Grange NSW 2567

**CANBERRA:** 1 Paterson Parade, Queanbeyan West NSW 2620

**WOLLONGONG:** 6 Mineral Rd, Oak Flats NSW 2529

**(02) 4728 7500**

[sales@stmequipment.com.au](mailto:sales@stmequipment.com.au)