

# High Capacity Telehandlers

P72.10EE

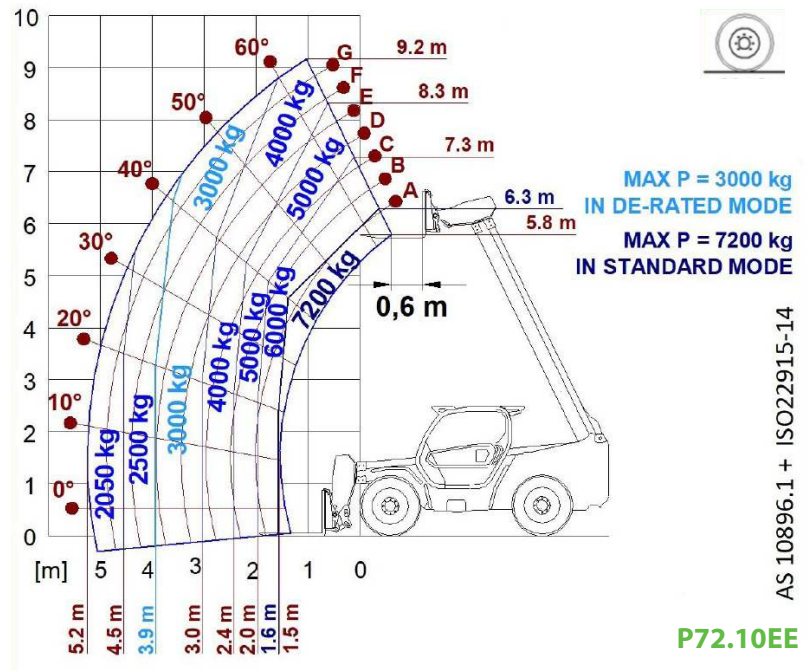




PERFORMANCE AND FEATURES	P72.10EE		
<b>Performance</b>			
Total unladen weight (kg)	11150		
Maximum capacity (kg)	7200		
Lifting height (m)	9.2		
Maximum reach (m)	5.2		
Maximum operating height (m)	6.56		
Maximum operating reach (m)	2		
Capacity at maximum height (kg)	4000		
Capacity at maximum reach (kg)	2100		
Lateral boom movement (mm)	± 250		
Tilting correction (%)	± 8		
Boom sections	2		
<b>PowerTrain</b>			
Turbo motor	PERKINS		
Displacement/cylinders	3600/4		
Engine Power (kW/HP)	85,9/116,8		
Anti-pollution technology	TIER 3		
Reversible fan	●		
Maximum speed (km/h)	40		
Fuel tank (l)	140		
AdBlue tank (l)	-		
Hydrostatic transmission	● - 2V		
EPD	Plus		
Auto-revving joystick	●		
Axles - Reducers	Drop portal - RR700		
Machine brakes	Dry discs		
Automatic parking brake	●		
<b>Hydraulic</b>			
Hydraulic pump	LS		
Flow rate/pressure (l/min - bar)	108 - 250		
Hydraulic tank	100		
Hydraulic outlet at the top of the boom	●		
Rear hydraulic outlets	○		
<b>Cab</b>			
Cab configuration	ECO		
ASCS Adaptive Stability Control System	Full		
FOPS LIV II cab	●		
ROPS cab	●		
Cab commands	Electronic joystick		
Tilting Cab	-		
Reverse shuttle	Dual reverse		
<b>Configuration</b>			
Cab suspension	-		
Boom suspension	-		
Suspension on axles	-		
Work headlights on cab	○		
Sun blind	○		
Tac-lock	●		
Provision for a platform	○		
Two floating forks	●		
Inching-Control	●		
Four-wheel drive	●		
Four-wheel steering	●		
Three steering modes	●		
Standard tyres	400/70-24		
Optional tyres	18R22,5; 445/65R22,5		
Stabilisers	-		
Turret rotation	-		
Type approval as an agricultural tractor	-		
Approval with PNEUMATIC braking	-		
Approval with HYDRAULIC braking	-		
PTO	-		
3-point linkage	-		

- Not Available  
● Standard  
○ Optional

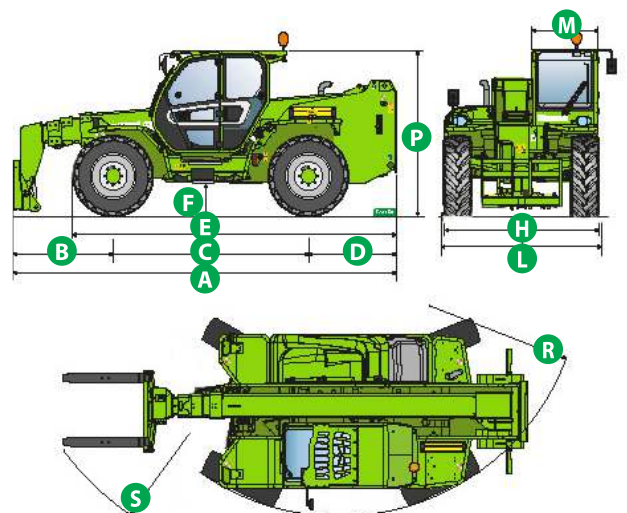
## Load charts



## Dimensions



	P72.10EE		
A (mm)	5480		
B (mm)	1255		
C (mm)	2920		
D (mm)	1304		
E (mm)	4815		
F (mm)	450		
H (mm)	2240		
L (mm)	-		
M (mm)	1010		
P (mm)	2500		
R (mm)	3970		
S (mm)	4990		



**Your Merlo dealer**

**P72.10EE:**

MA00937 - VIN: D2002648 - SAV: D220384 - 17/05/2022

**MERLO GROUP AUSTRALIA PTY LTD**

27 Colin Jamieson Dve, Welshpool (Perth), WA 6106

Tel. (08) 9358 3110 - Fax (08) 9358 4110

120 Toongabbie Road, Girraween, NSW 2145

Tel. (02) 9688 0600

Tel:1300 657 325

[info@merloaustralia.com.au](mailto:info@merloaustralia.com.au)

[www.merlo.com](http://www.merlo.com)

