

Rotating Telehandlers

ROTO70.24SPLUSEE4



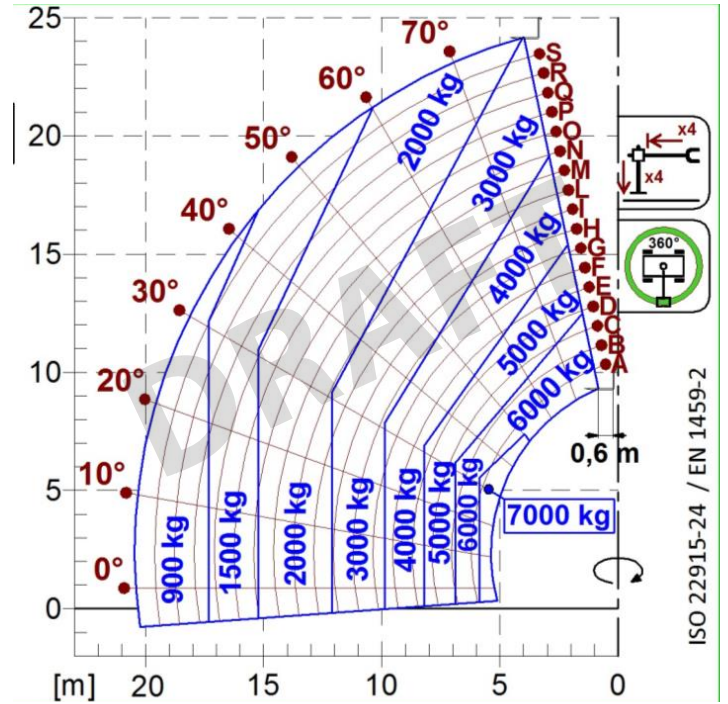
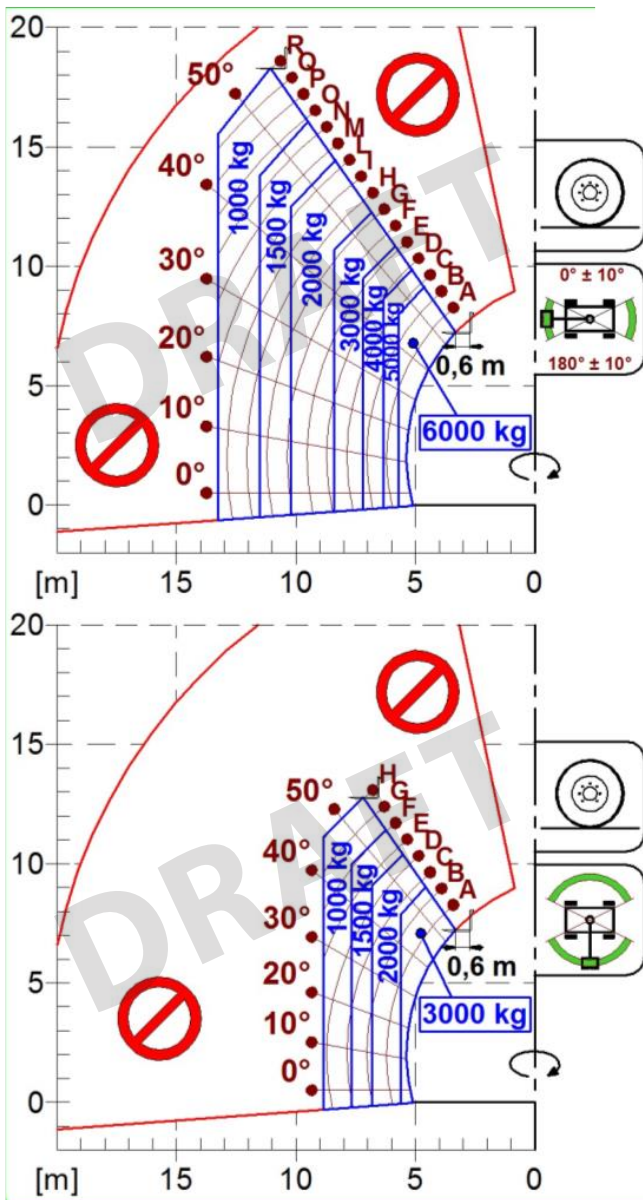
 MERLO



PERFORMANCE AND FEATURES	ROTO70.24SPLUSEE4		
Performance			
Total unladen weight (kg)	20200		
Maximum capacity (kg)	TBD		
Lifting height (m)	TBD		
Maximum reach (m)	TBD		
Maximum operating height (m)	TBD		
Maximum operating reach (m)	TBD		
Capacity at maximum height (kg)	TBD		
Capacity at maximum reach (kg)	TBD		
Lateral boom movement (mm)	-		
Tilting correction (%)	± 12; ± 4		
Boom sections	5		
PowerTrain			
Turbo motor	FPT NEF45		
Displacement/cylinders	4500/4		
Engine Power (kW/HP)	125/170		
Anti-pollution technology	TIER 4 - SCR + DOC		
Reversible fan	-		
Maximum speed (km/h)	40		
Fuel tank (l)	150		
AdBlue tank (l)	43		
Hydrostatic transmission	● - 2V		
EPD	●		
Auto-revving joystick	●		
Axles - Reducers	Drop portal - RR700		
Machine brakes	Dry discs		
Automatic parking brake	●		
Hydraulic			
Hydraulic pump	2 - LS + FS		
Flow rate/pressure (l/min - bar)	138+100 - 250/230		
Hydraulic tank	120		
Hydraulic outlet at the top of the boom	●		
Rear hydraulic outlets	-		
Cab			
Cab configuration	Premium		
ASCS Adaptive Stability Control System	Full		
FOPS LIV II cab	●		
ROPS cab	●		
Cab commands	Electronic joystick control		
Tilting Cab	●		
Reverse shuttle	Dual Reverse		
Configuration			
Cab suspension	-		
Boom suspension	○		
Suspension on axles	●		
Work headlights on cab	○ - Led		
Sun blind	●		
Tac-lock	●		
Provision for a platform	●		
Two floating forks	●		
Inching-Control	-		
Four-wheel drive	●		
Four-wheel steering	●		
Three steering modes	●		
Standard tyres	445/65 R22.5		
Optional tyres	-		
Stabilisers	Multiposition		
Turret rotation	continuous		
Type approval as an agricultural tractor	-		
Approval with PNEUMATIC braking	-		
Approval with HYDRAULIC braking	-		
PTO	-		
3-point linkage	-		

- Not Available
● Standard
○ Optional

Load charts



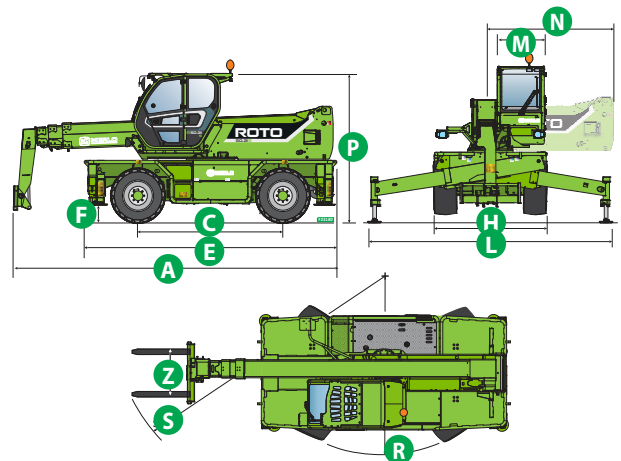
ROTO70.24EE

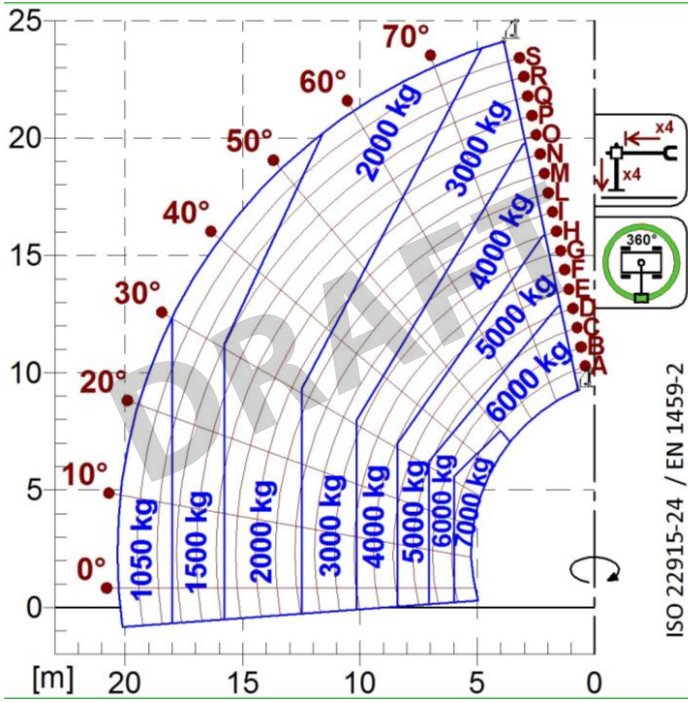
ISO 22915-24 / EN 1459-2

Dimensions

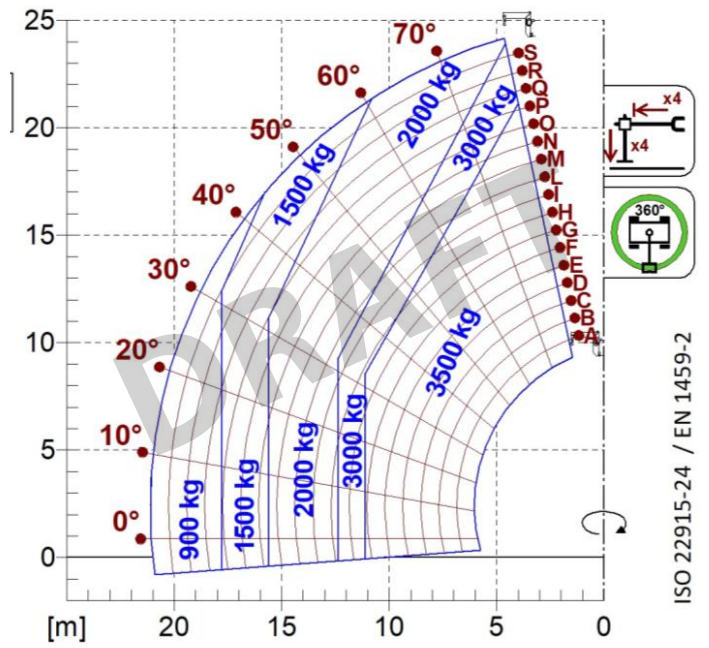


	ROTO70.24 SPLUSEE4		
A (mm)	7545		
C (mm)	3200		
E (mm)	5620		
F (mm)	290		
H (mm)	2490		
L (mm)	5010		
M (mm)	1010		
N (mm)	3170		
P (mm)	3160		
R (mm)	4500		
S (mm)	6770		
Z (mm)	850		

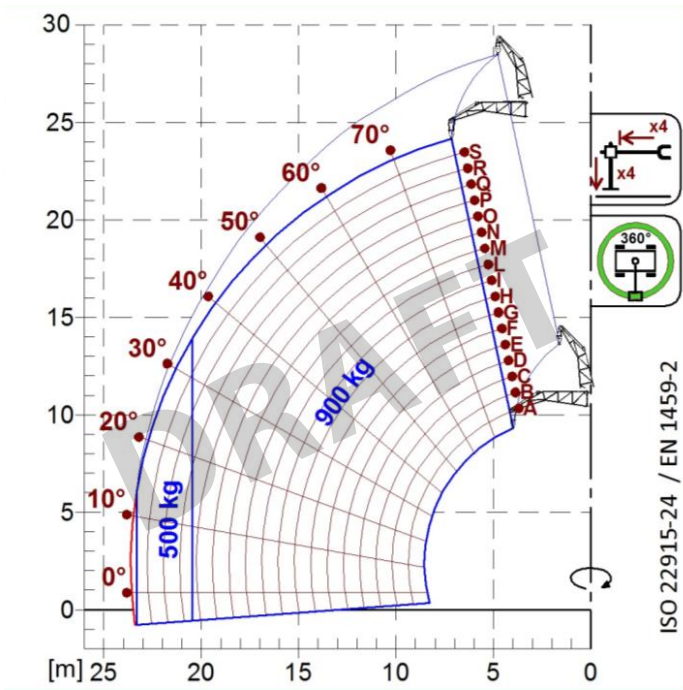




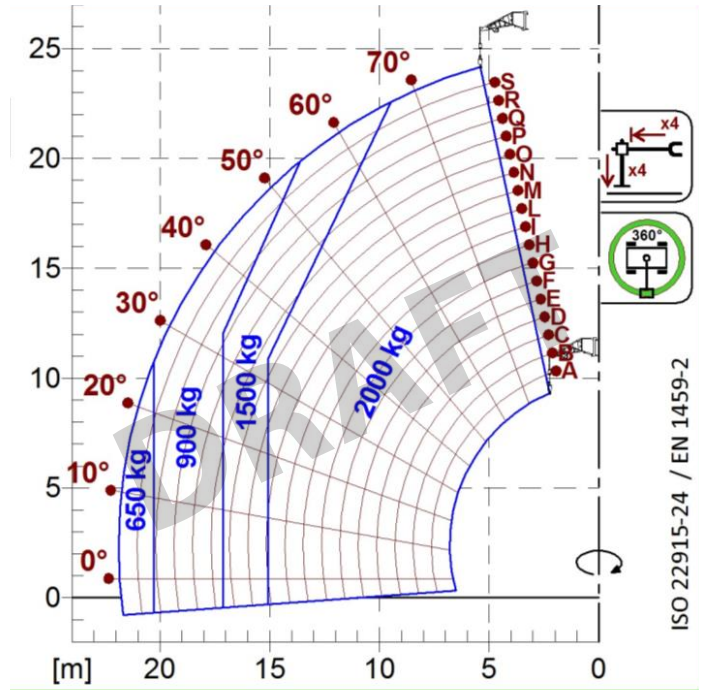
A1001



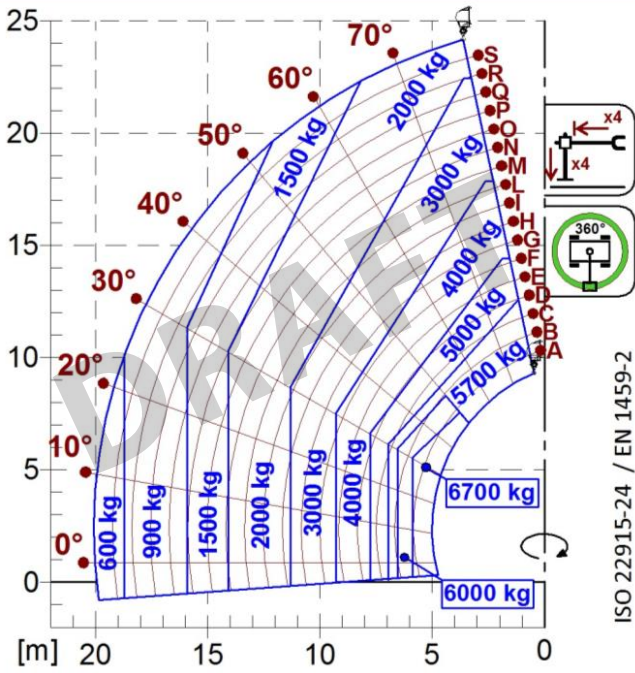
A1119B



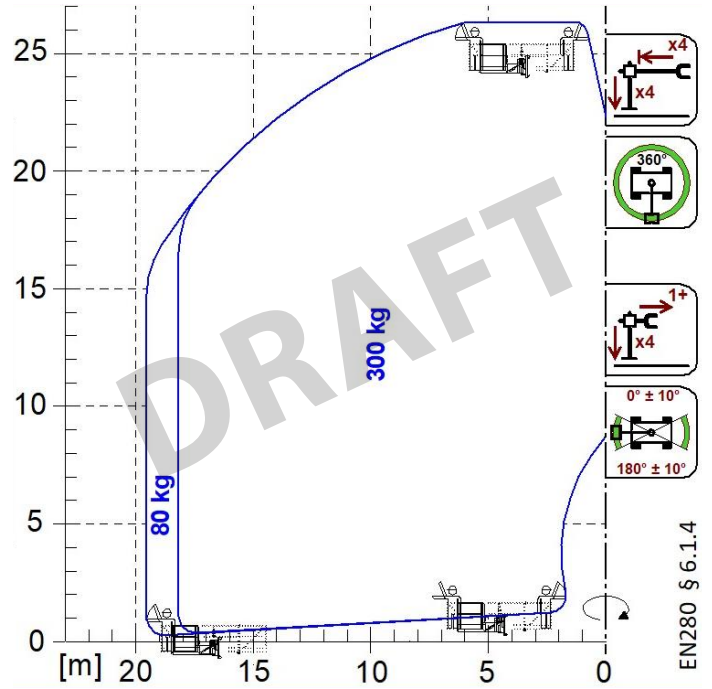
A1220B
A1320B



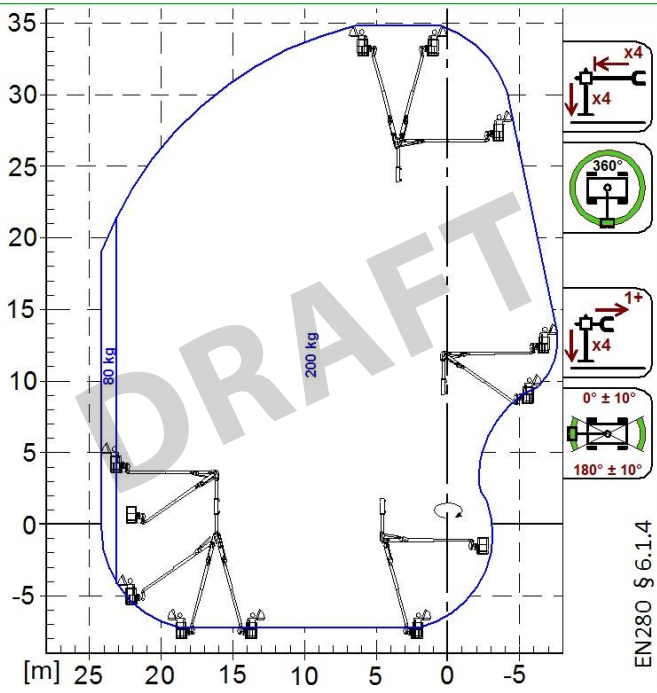
A1321B



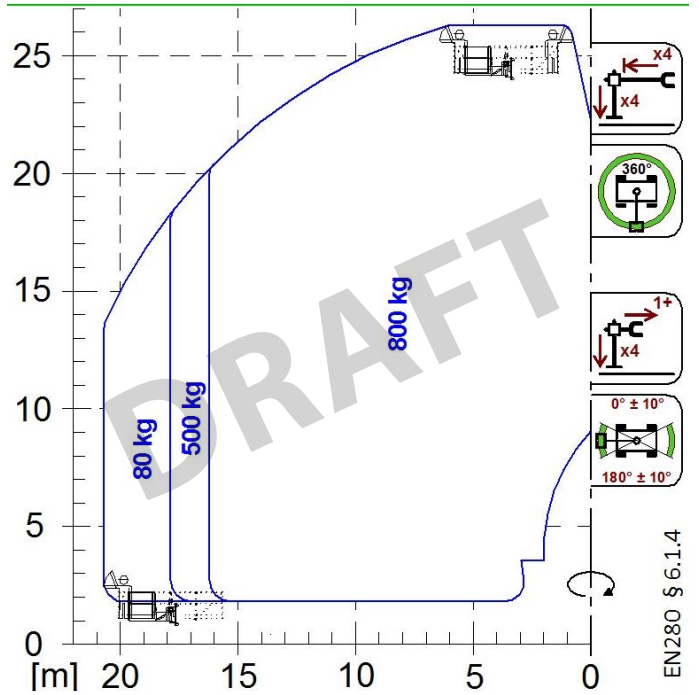
A2768
A2769



A1827A
A1839A



A1873A



A1831A

Your Merlo dealer



ROTO70.24SPLUSEE4:

MA00850 - VIN: D0003471 - SAV: D041342 - 28/10/2020

MERLO GROUP AUSTRALIA PTY LTD

27 Colin Jamieson Dve, Welshpool (Perth), WA 6106

Tel. (08) 9358 3110 - Fax (08) 9358 4110

120 Toongabbie Road, Girraween, NSW 2145

Tel. (02) 9688 0600

Tel:1300 657 325

info@merloaustralia.com.au

www.merlo.com

